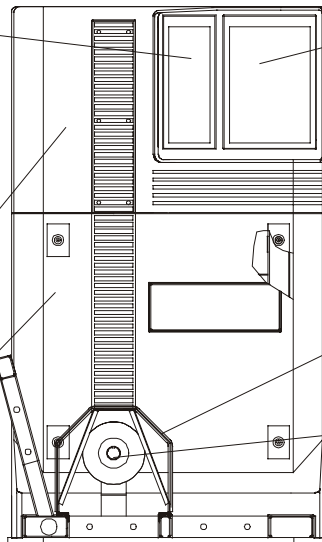


**LT-LP
LEG PRESS CIRCUIT**

**GK14-00001-XXXX
SN # 1000-15272**

- Display Board(R)
AK14-00261-0000
- Face Plate (For 12-pin
connector - shroud
mounted - short ribbon
length)
AK14-00259-0000
- Face Plate (For 14-pin
connector - shroud
mounted - long ribbon
length)
AK14-00291-0001

- Upper Front Housing
GK14-00002-0073
- Lower Front Housing
AK14-00204-0000

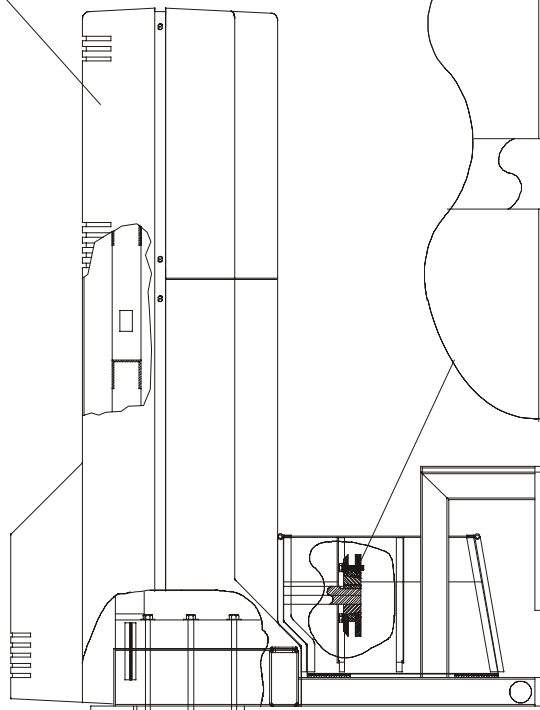


- Instruction Decal
OK14-01774-0001 Eng
OK14-01774-0002 Ger
OK14-01774-0004 Spn
OK14-01774-0003 Jap

- Coupler Housing
AK14-00231-0000

- Coupler/Flange Input Assy
SN 7961 - below
GK14-00002-0080

- Rear Housing
GK14-00002-0046



- Paraflex Tire
SN 7962 - above
0017-00009-0820

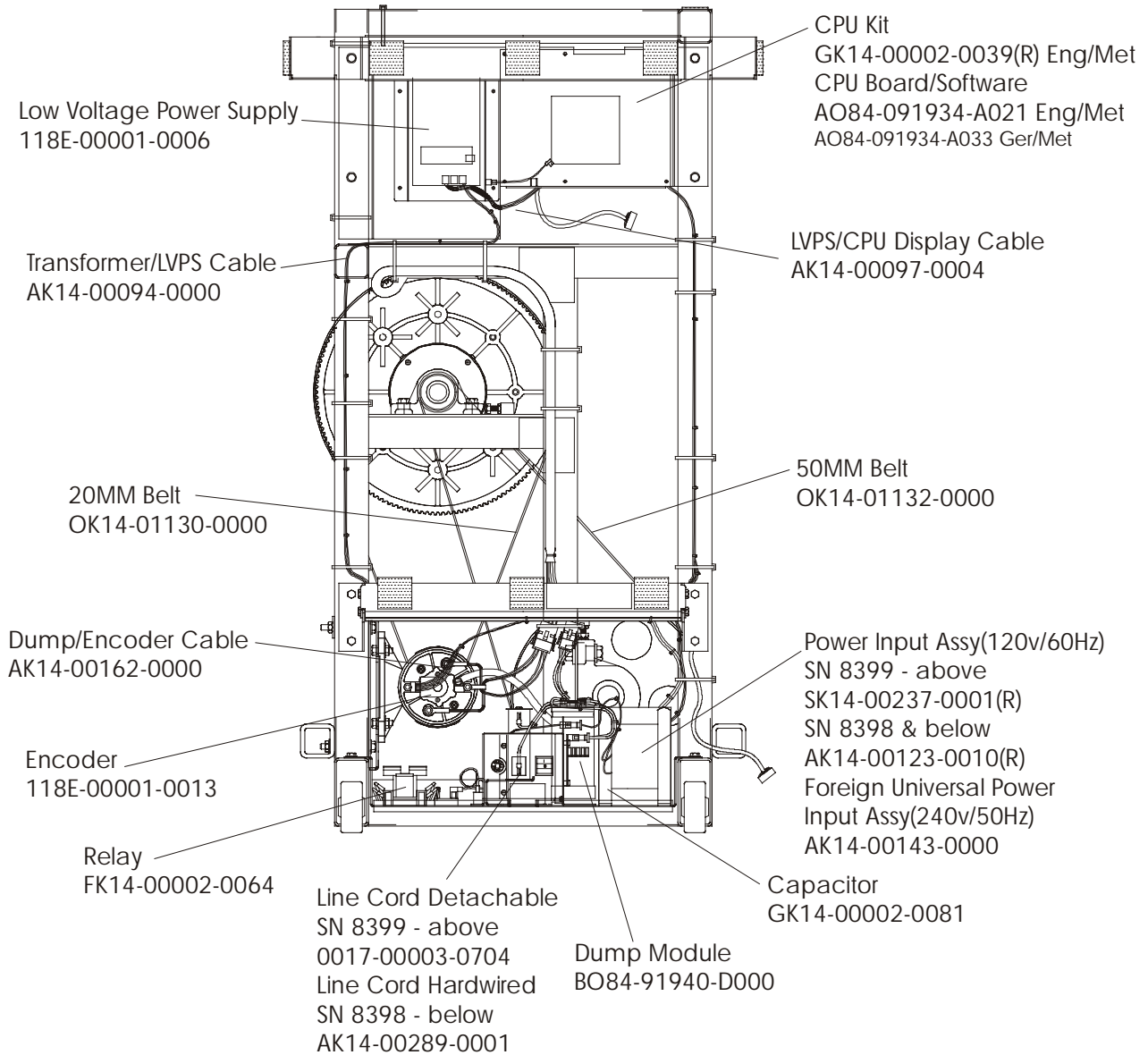
- Input/Output Key
SN 7962 - above
OK14-01850-0000

- Input/Output Bushing
SN 7962 - above
0017-00009-0819

- Flange/Coupler
SN 7962 - above
0017-00009-0821

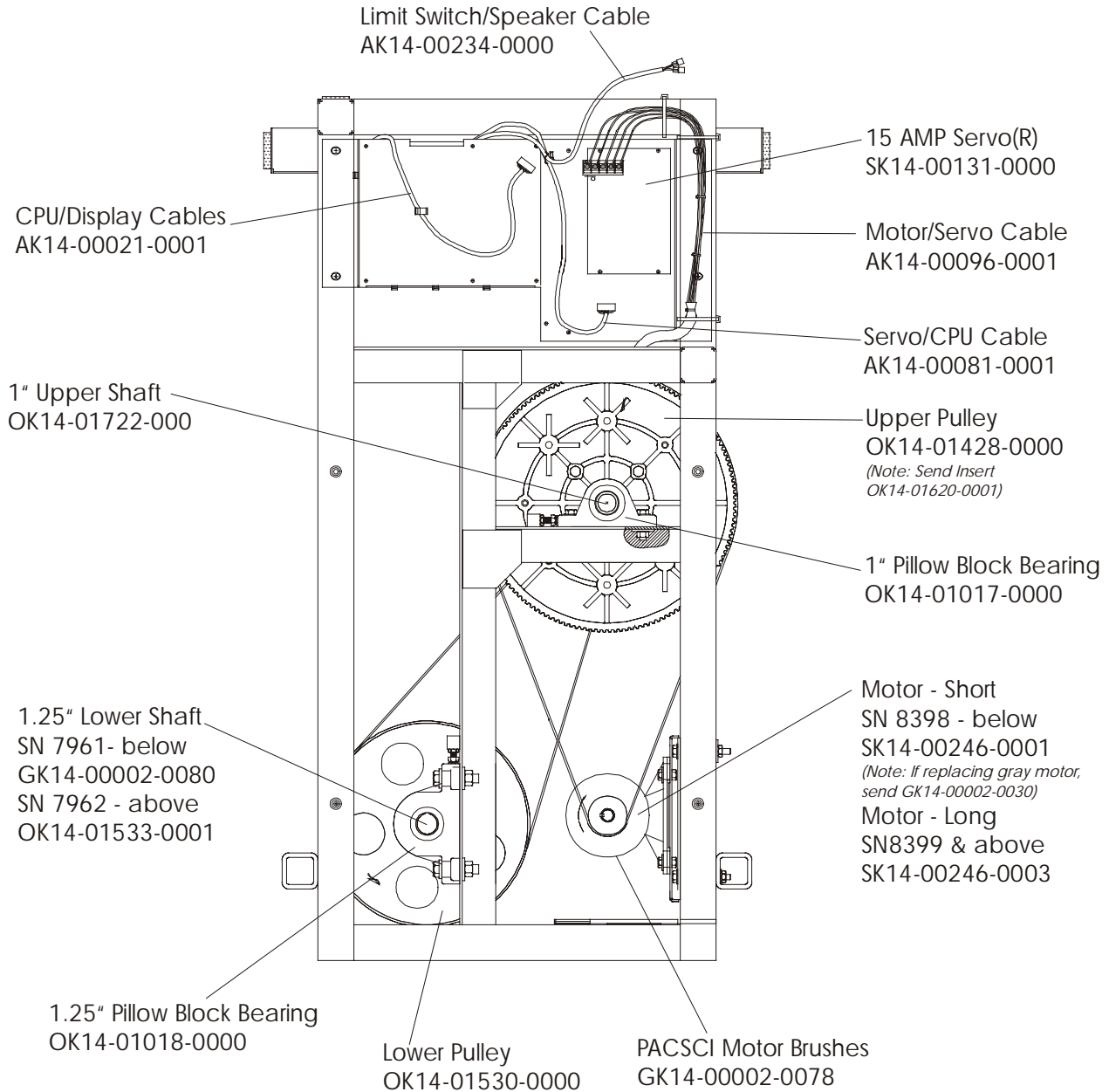
**LT-LP
LEG PRESS CIRCUIT**

**GK14-00001-XXXX
SN # 1000-15272**



**LT-LP
LEG PRESS CIRCUIT**

**GK14-00001-XXXX
SN # 1000-15272**



**LT-LP
LEG PRESS CIRCUIT**

**GK14-00001-XXXX
SN # 1000-15272**

